

# SUN2000-330KTL-H1

## Smart String Inverter



Max. Efficiency  
≥99.0%



Smart Self Clean Fan



Smart DC Connector  
Temperature Detect



Smart String Level  
Disconnection



28 High Accuracy String  
Current Detect



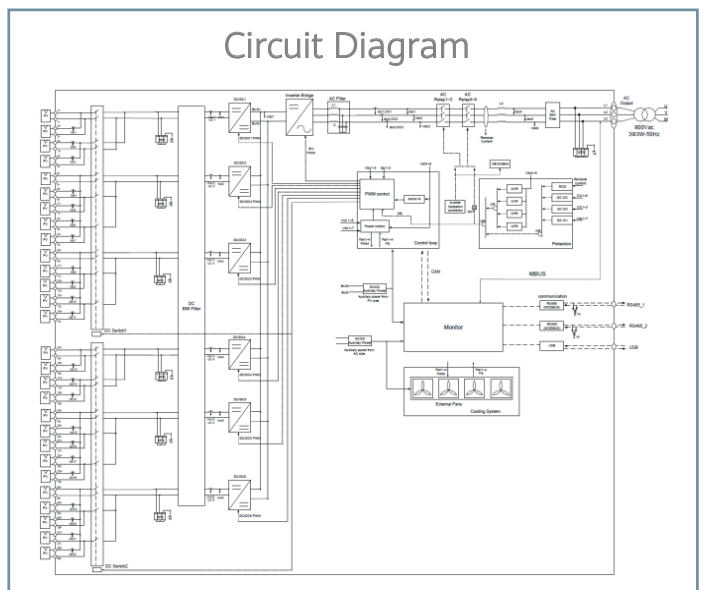
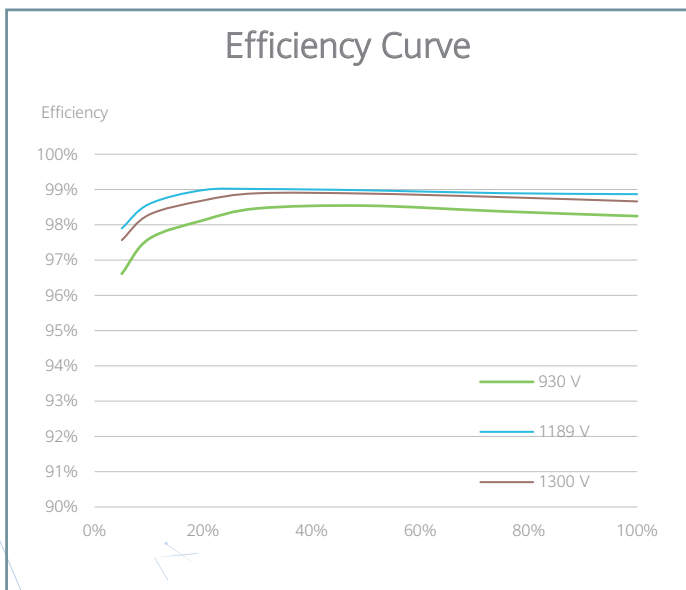
Support IV diagnosis



IP 66 protection



Surge Arresters for  
DC & AC



# Technical Specifications

| Efficiency                               |                                       |
|--|---------------------------------------|
| Max. Efficiency                          | ≥99.0%                                |
| European Efficiency                      | ≥98.8%                                |
| Input                                    |                                       |
| Max. Input Voltage                       | 1,500 V                               |
| Number of MPP Trackers                   | 6                                     |
| Max. Current per MPPT                    | 65 A                                  |
| Max. Short Circuit Current per MPPT      | 115 A                                 |
| Max. PV Inputs per MPPT                  | 4/5/5/4/5/5                           |
| Start Voltage                            | 550 V                                 |
| MPPT Operating Voltage Range             | 500 V ~ 1,500 V                       |
| Nominal Input Voltage                    | 1,080 V                               |
| Output                                   |                                       |
| Nominal AC Active Power                  | 300,000 W                             |
| Max. AC Apparent Power                   | 330,000 VA                            |
| Max. AC Active Power (cosφ=1)            | 330,000 W                             |
| Nominal Output Voltage                   | 800 V, 3W + PE                        |
| Rated AC Grid Frequency                  | 50 Hz / 60 Hz                         |
| Nominal Output Current                   | 216.6 A                               |
| Max. Output Current                      | 238.2 A                               |
| Adjustable Power Factor Range            | 0.8 LG ... 0.8 LD                     |
| Total Harmonic Distortion                | < 1%                                  |
| Protection                               |                                       |
| Smart String-Level Disconnecter(SSLD)    | Yes                                   |
| Anti-islanding Protection                | Yes                                   |
| AC Overcurrent Protection                | Yes                                   |
| DC Reverse-polarity Protection           | Yes                                   |
| PV-array String Fault Monitoring         | Yes                                   |
| DC Surge Arrester                        | Type II                               |
| AC Surge Arrester                        | Type II                               |
| DC Insulation Resistance Detection       | Yes                                   |
| AC Grounding Fault Protection            | Yes                                   |
| Residual Current Monitoring Unit         | Yes                                   |
| Communication                            |                                       |
| Display                                  | LED Indicators, WLAN + APP            |
| USB                                      | Yes                                   |
| MBUS                                     | Yes                                   |
| RS485                                    | Yes                                   |
| General                                  |                                       |
| Dimensions (W x H x D)                   | 1,048 x 732 x 395 mm                  |
| Weight (with mounting plate)             | ≤112 kg                               |
| Operating Temperature Range              | -25 °C ~ 60 °C                        |
| Cooling Method                           | Smart Air Cooling                     |
| Max. Operating Altitude without Derating | 4,000 m (13,123 ft.)                  |
| Relative Humidity                        | 0 ~ 100%                              |
| AC Connector                             | Waterproof Connector + OT/DT Terminal |
| Protection Degree                        | IP 66                                 |
| Topology                                 | Transformerless                       |